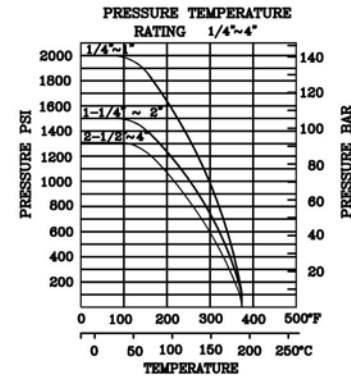
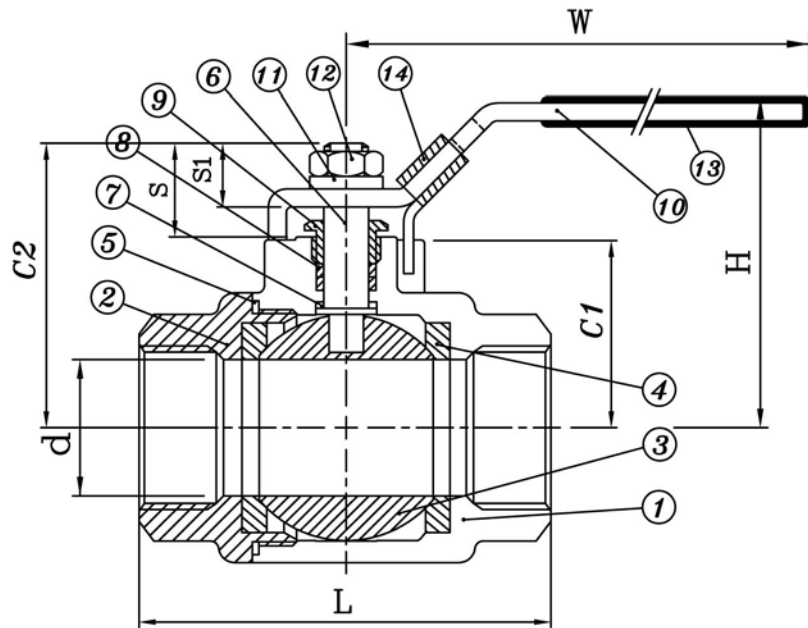
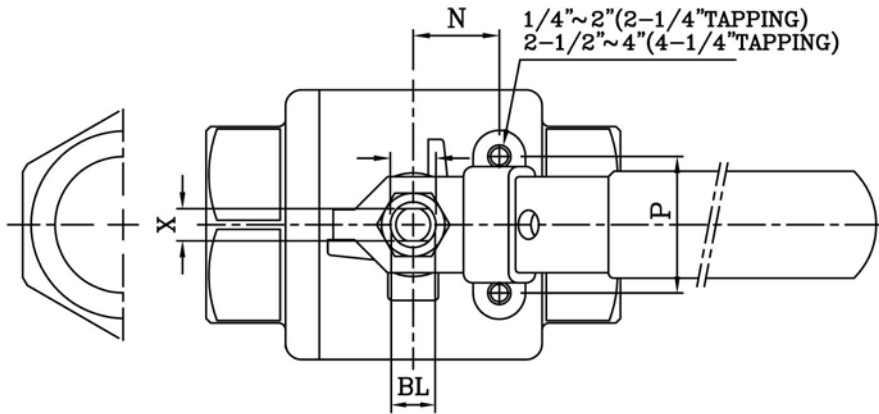
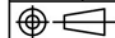


NOMINAL SIZE	d	L	H	W	S	S1	X	N	P	BL	Cv FACTOR	TORQUE kgf-cm
1/4"	11.6	54	48	81	16.5	10.2	5	12.5	28.5	5/16"	6.6	46
3/8"	12	54	48	86	16.5	10.2	5	12.5	28.5	5/16"	7.9	46
1/2"	15	63	54	96	16.5	10.2	5	12.5	28.5	5/16"	11.2	54
3/4"	20	73	57	108	20	13.5	6.5	21	34.8	3/8"	21	78
1"	25.4	88	66	134	23.5	16	8	22.5	34.8	7/16"	35	106
1-1/4"	32	102	74	147	23.5	16	8	23.5	38.1	7/16"	57	150
1-1/2"	38	109	84	160	25.5	17	9	23.5	38.1	1/2"	80	200
2"	50	125	92	165	25.5	17	9	34	38.1	1/2"	150	280
2-1/2"	65	160	130	250	41	29.5	12	35	56	3/4"	265	500
3"	80	185	140	250	41	29.5	12	35	56	3/4"	415	770
4"	100	260	174	325	48	36.5	16	50	63	1"	780	1100



ITEM	PARTS	Q,TY	MATERIAL	
1	BODY	1	ASTM-CF8M-A351	ASTM-A216-WCB
2	CAP	1	ASTM-CF8M-A351	ASTM-A216-WCB
3	BALL	1	ASTM-CF8M-A351	ASTM-CF8M-A351
4	BALL SEAT	2	25% CARBON PTFE	25% CARBON PTFE
5	JOINT GASKET	1	PTFE	PTFE
6	STEM	1	AISI 316	AISI 316
7	THRUST WASHER	1	PTFE	PTFE
8	STEM PACKING	2	PTFE	PTFE
9	GLAND NUT	1	AISI 304	AISI 304
10	HANDLE	1	AISI 304	AISI 304
11	SPRING WASHER	1	AISI 304	AISI 304
12	STEM NUT	1	AISI 304	AISI 304
13	PLASTIC COVER	1	PLASTIC	PLASTIC
14	LOCK DEVICE	1	AISI 304	AISI 304

REV. A



CHECKED	Morris	DATE	2005/02/04	TYPE	NP22
DESIGNER	Kevin	SCALE	Scaled to Fit	DWG_NO.	NP22
DRAWN	Kevin	DESCRIBE	2pc. 2000# Full Port Ball Valve		