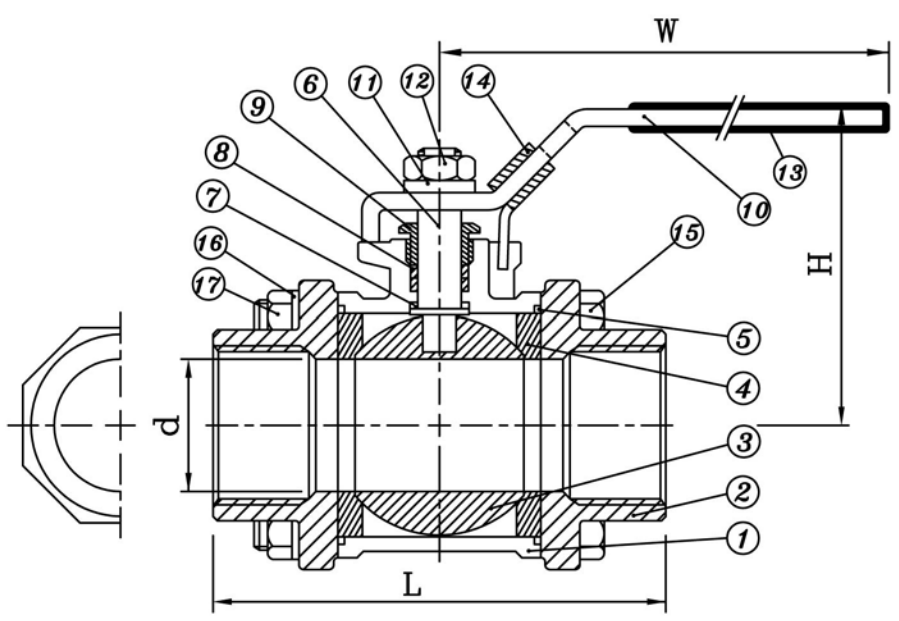
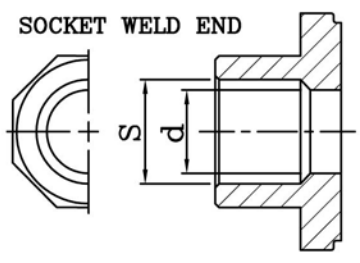


SIZE		d	L	H	W	C	S	D
DN	NPS							
6	1/4"	11.6	58	52	102	37.5	14.1	22.6
10	3/8"	12.7	58	54	102	37.5	17.6	22.6
15	1/2"	15	63	62	123	45.5	21.7	27.3
20	3/4"	20	73	66	123	52.5	27.1	33.1
25	1"	25	85	77	153	57.5	33.8	39.8
32	1 1/4"	32	96	80	153	71.5	42.6	48.6
40	1 1/2"	38	114	91	183	79	48.7	55.1
50	2"	50	134	98	183	97	61.1	68.1
65	2 1/2"	65	180	138	246	124.5	76.9	85.9
80	3"	80	200	149	246	149	89.8	100.8
100	4"	100	228	175	246	180.6	115.5	127.5

- FEATURES:**
- BLOW-OUT PROOF STEM/FULL PORT
 - INVESTMENT CASTING BODY
 - 1000PSI(PN63)W.O.G.
 - LOCKING DEVICE
 - MATERIAL: SS316/ASTM A351Gr-CF8M/DIN1.4408



ITEM	PARTS	Q,TY	MATERIAL
1	BODY	1	ASTM-A351-CF8M
2	CAP	2	ASTM-A351-CF8M
3	BALL	1	ASTM-A351-CF8M
4	BALL SEAT	2	15% R-PTFE
5	JOINT GASKET	2	15% R-PTFE
6	STEM	1	AISI 316
7	THRUST WASHER	1	PTFE
8	STEM PACKING	2	PTFE
9	GLAND NUT	1	AISI 304
10	HANDLE	1	AISI 304
11	STEM WASHER	1	AISI 304
12	STEM NUT	1	AISI 304
13	PLASTIC COVER	1	PLASTIC
14	LOCK DEVICE	1	AISI 304
15	BOLT	4-6	AISI 304
16	SPRING WASHER	4-12	AISI 304
17	HEX NUT	4-12	AISI 304



REV.	A				
CHECKED	Morris				
DESIGNER	Kevin	SCALE	Scaled to Fit	DWG_NO.	NP31
DRAWN	Kevin	DESCRIBE	3pc. 1000# Full Port Ball Valve		