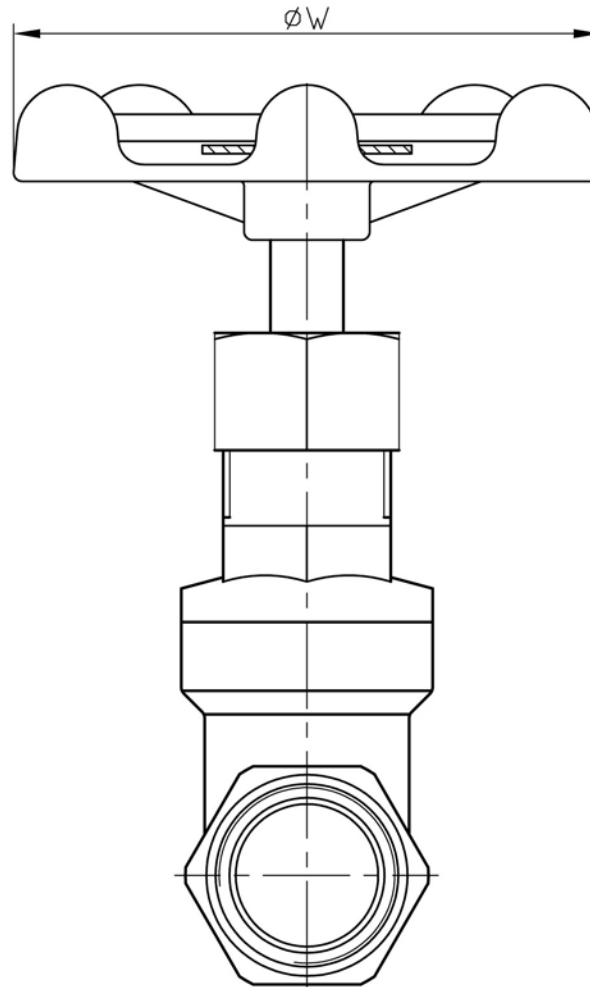
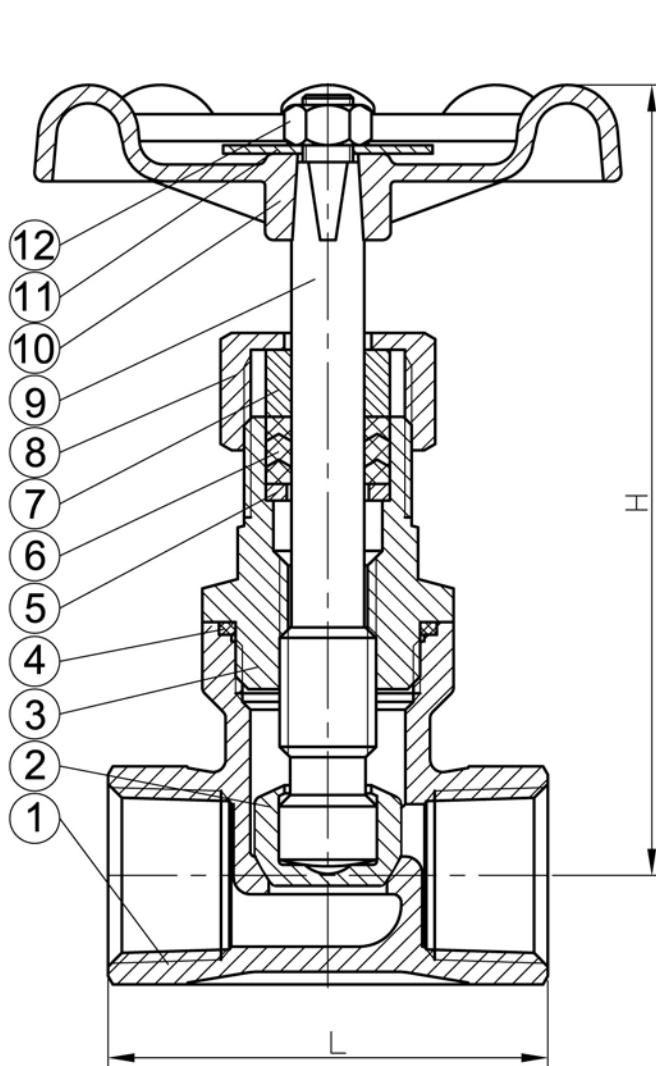



SIZE	DN	1/4"	3/8"	1/2"	3/4"	1"	1 1/4"	1 1/2"	2"
	NPS	6	10	15	20	25	32	40	50
L		52	52	52	66	76	86	94	118
H		105.5	105.5	107	116	129.2	153.5	157	172
W		70	70	70	80	80	90	100	100
WEIGET/KGS		0.338	0.320	0.329	0.472	0.660	1.010	1.290	1.822

FEATURES

- PIPE THREAD IN ACCORDANCE : NPT, BSPT
DIN259, DIN2999, ISO228 CLASS A
- CLASS 200 W.O.G.
- INVESTMENT CASTING BODY
- INSIDE SCREW AND SCREWED BONNET
WEDGE DISC
- INTEGRAL SEAT
- MATERIAL: SS316 / ASTM A351
Gr-CF8M / DIN1.4408



ITEM	PART NAME	MATERIAL
1	BODY	CF8M
2	DISC	CF8M
3	BONNET	CF8M
4	GASKET	PTFE
5	GASKET	SUS304
6	PACKING	PTFE
7	GLAIND	SUS304
8	CAP NUT	CF8M
9	STEM	SUS316
10	HANDLE	ALUMINNUM
11	NAMEPLATE	ALUMINNUM
12	STEM NUT	SUS304

REV.	A				
	 IPING PRODUCTS INC.				
CHECKED	Morris	DATE	2005/09/02	TYPE	NPGL2
DESIGNER	Kevin	SCALE	Scaled to Fit	DWG_NO.	NPGL2
DRAWN	Kevin	DESCRIBE	200# WOG THRD GLOBE VALVE		