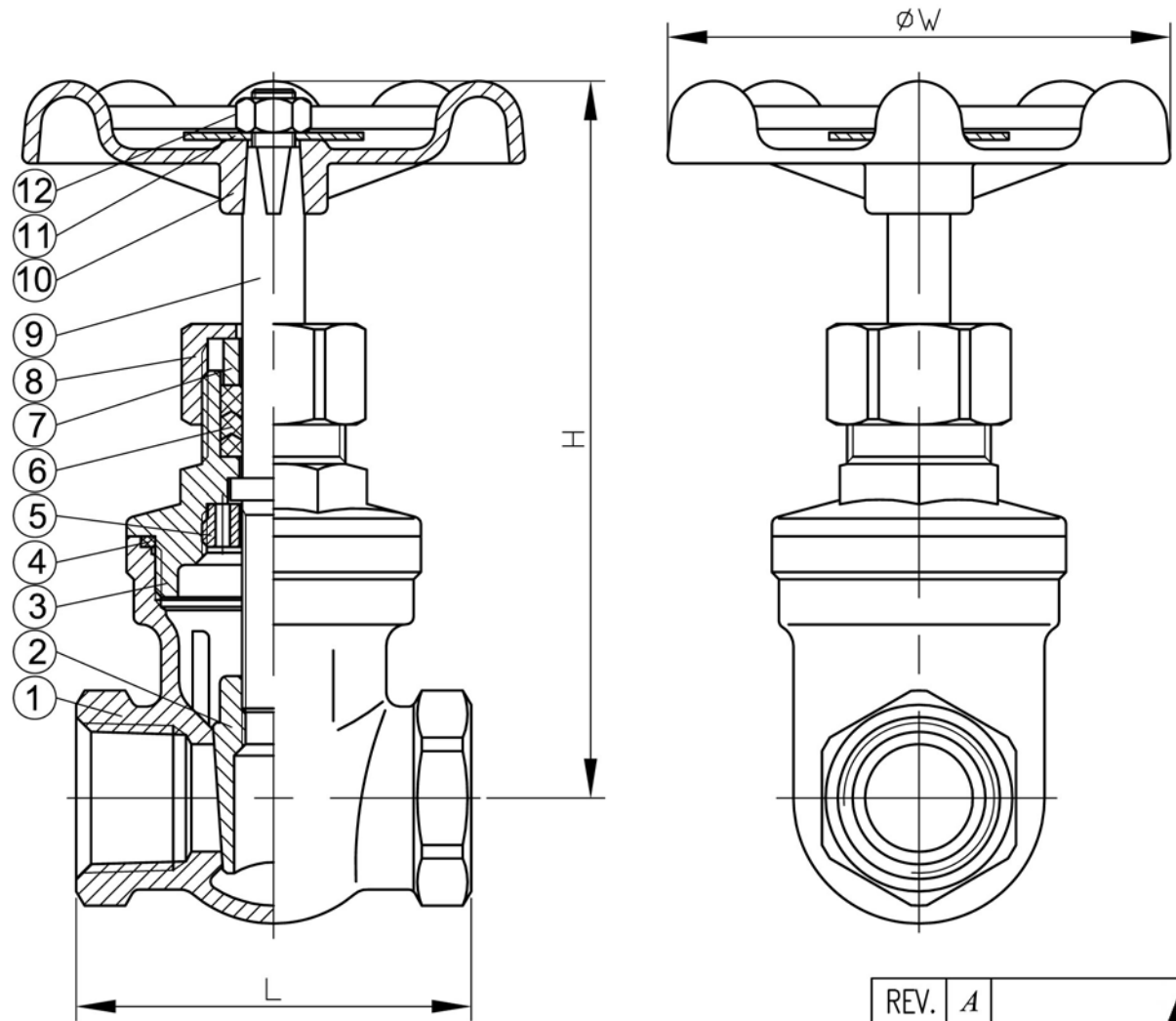



SIZE	NPS	1/2"	3/4"	1"	1 1/4"	1 1/2"	2"	2 1/2"	3"
	DN	15	20	25	32	40	50	65	80
L		55	60	65	75	85	95	116	130
H		100	107	110	130	147	170	213	239
W		70	70	80	80	90	100	100	115
WEIGET/KGS		0.433	0.628	0.818	1.120	1.622	2.270	5.22	9



- FEATURES**
- PIPE THREAD IN ACCORDANCE : NPT, BSPT  
DIN259, DIN2999, ISO228 CLASS A
  - CLASS 200 W.O.G.
  - INVESTMENT CASTING BODY
  - INSIDE SCREW AND SCREWED BONNET  
WEDGE DISC
  - INTEGRAL SEAT
  - NON RISING STEM AND HAND WHEEL
  - MATERIAL: SS316 / ASTM A351  
Gr-CF8M / DIN1.4408

ITEM	PART NAME	MATERIAL
1	BODY	CF8M
2	DISC	CF8M
3	BONNET	CF8M
4	GASKET	PTFE
5	WHORL GASKET	SUS304
6	PACKING	PTFE
7	GLAIND	SUS304
8	CAP NUT	CF8M
9	STEM	SUS316
10	HANDLE	ALUMINUM
11	NAMEPLATE	ALUMINUM
12	STEM NUT	SUS304

REV.	A	 <b>IPING PRODUCTS INC.</b>			
CHECKED	Morris				
DESIGNER	Kevin	SCALE	Scaled to Fit	DWG_NO.	<b>NPGT2</b>
DRAWN	Kevin	DESCRIBE	<b>200# WOG 316 THRD GATE VALVE</b>		