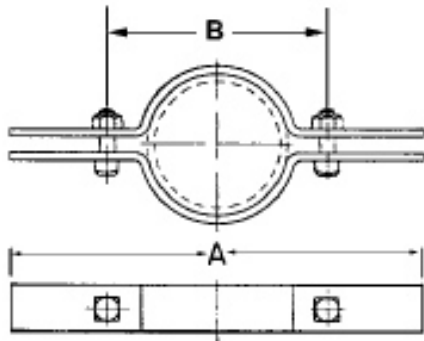


Standard Riser Clamp



Material: 304 stainless steel.

Finish: Plain

Service: Designed for supporting and stabilizing vertical pipe runs.

Approvals: U.L. - U.L.C. listed (sizes 2" - 8"). Complies with Federal Specification WW-H-171-E (Type# 8), A-A-1192 A (Type# 8) and Manufacturers' Standardization Society MSS SP-58 and SP-69 (Type# 8).

Ordering: Specify pipe size, figure number and finish.

Notes: Stainless steel riser clamps are recommended for applications where protection from corrosive environments is needed.



PIPE SIZE	PIPE OD	MATERIAL SIZE	BOLT	A	B	WGT EACH (lbs)	MAX REC LOAD (lbs)
1/2	0.840	8ga x 1.0	3/8	8 ⁵ / ₈	2 ¹ / ₈	0.88	220
3/4	1.050	8ga x 1.0	3/8	8 ¹³ / ₁₆	2 ⁵ / ₁₆	0.92	220
1	1.315	8ga x 1.0	3/8	9 ¹ / ₁₆	2 ⁵ / ₈	0.94	220
1 1/4	1.660	8ga x 1.0	3/8	9 ⁷ / ₁₆	2 ¹⁵ / ₁₆	1.00	250
1 1/2	1.900	8ga x 1.0	3/8	10	3 ⁷ / ₁₆	1.04	250
2	2.375	8ga x 1.0	3/8	10 ³ / ₁₆	4	1.14	300
2 1/2	2.875	3ga x 1.0	3/8	11 ¹ / ₈	4 ⁹ / ₁₆	1.60	400
3	3.500	3ga x 1.0	3/8	11 ¹³ / ₁₆	5 ¹ / ₄	1.70	500
3 1/2	4.000	3ga x 1.0	1/2	13	6	2.06	600
4	4.500	3ga x 1.0	1/2	13 ⁵ / ₈	6 ⁵ / ₈	2.20	750
5	5.563	3ga x 1.5	1/2	14 ¹ / ₈	7 ⁵ / ₈	3.40	1500
6	6.625	3ga x 1.5	1/2	15 ³ / ₈	8 ⁷ / ₈	3.72	1600
8	8.625	3/8 x 1.5	5/8	18 ⁵ / ₈	12	7.22	2500
10	10.750	3/8 x 2.0	5/8	21	14 ¹ / ₂	10.94	2500
12	12.750	1/2 x 2.0	5/8	22 ³ / ₄	16 ³ / ₄	16.10	2700
14	14.000	1/2 x 2.0	5/8	24	16 ⁷ / ₈	17.00	2700
16	16.000	5/8 x 2 1/2	3/4	26	21	29.16	2900
18	18.000	5/8 x 2 1/2	3/4	28	23 ¹ / ₈	31.91	2900
20	20.000	5/8 x 2 1/2	3/4	30	25	35.00	2900