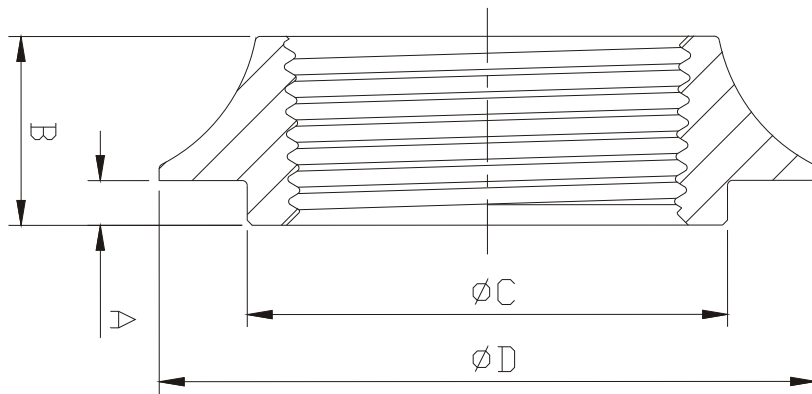


WELD SPUD



SIZE	1/4"		3/8"		1/2"		3/4"		1"		1-1/4"		1-1/2"		2"		2-1/2"		3"		4"	
	mm	in	mm	in	mm	in	mm	in	mm	in	mm	in	mm	in	mm	in	mm	in	mm	in	mm	in
A	4	0.16	4	0.16	4	0.16	4.5	0.18	5	0.20	5	0.20	5	0.20	5	0.20	5	0.20	5	0.20	5	0.20
B	11	0.43	12	0.47	14	0.55	15	0.59	17	0.67	18.5	0.73	19	0.75	20.5	0.81	26	1.02	27	1.06	29	1.14
C	18	0.71	22	0.87	26	1.02	32	1.26	39	1.54	48	1.89	55	2.17	67	2.64	82	3.23	97	3.82	124	4.88
D	34	1.34	38	1.50	43	1.69	48	1.89	55	2.17	64	2.52	71	2.80	83	3.27	101	3.98	113	4.45	145	5.71

Tolerance: ±1.0mm